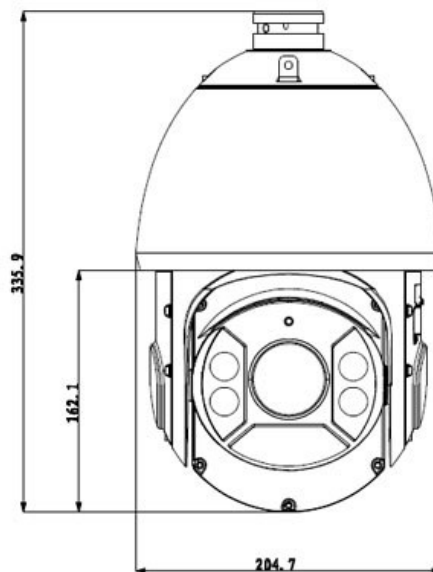


CP- UVP-F2520L15-D

2 MP 1080P HDCVI IR PTZ Camera



Main Features

- 1/2.8" 2Megapixel CMOS Image sensor
- Max. 25/30fps@1080P, 25/30/50/60fps@720P
- Powerful 25x Optical and 16x Digital zoom
- WDR(120dB), 3D DNR
- Up to 300 presets, 8 auto scan, 8 tour, 8 auto pan, 5 pattern
- IR Range of 150 Mtr.
- Max 240°/s pan speed, 360° endless pan rotation
- Built-in 2/1 alarm in/out, IP66
- Mobile Software: iCMOB, gCMOB
- CMS Software: KVMS Pro, vOptimus Pro



*Product casing and specifications are subject to change without prior notice

CP- UVP-F2520L15-D

2 MP 1080P HDCVI IR PTZ Camera



Feature

Image Sensor
Effective Pixels
Video Output
S/N Ratio
Minimum Illumination
Focal Length
Focus Control
White Balance
Close Focus Distance
Angle of View
Electronic Shutter
AGC control
Back Light Compensation
Optical Zoom
Digital Zoom
Pan Travel
Tilt Travel
Manual Speed
Presets
Preset Speed
Privacy Masking
Special Features
Power up Action
Idle Motion
Day/Night: IR Cut Filter
Video Compression
Video Streaming
Audio Streaming
Networking
Protocols

Specification

1/2.8" PS CMOS Image Sensor
1920(H) x 1080(V), 2 Megapixels
1-channel BNC HDCVI high definition video output/ CVBS standard definition video output (switchable)
More than 55dB
Color: 0.005Lux@F1.6 ; 0Lux@F1.6 (IR on)
4.8mm~120mm
Auto / Manual
Auto, ATW, Indoor, Outdoor, Manual
100mm~ 1000mm
H: 59.2° ~ 2.4°
1/3s~1/300,000s
Auto / Manual
BLC / HLC / WDR(120dB)
25x
16x
0°~360° endless, Pan Speed: 0.1° ~160° /s
-15° ~ 90° auto flip 180°, Tilt Speed: 0.1° ~120° /s
Pan: 0.1° ~160° /s; Tilt: 0.1° ~120° /s
300
Pan: 240° /s; Tilt: 200° /s
Up to 24 areas
IR Range upto 150m, Up to 300 Presets, 8 Tour, 5 Pattern, 8 Auto scan, Auto Pan
Auto restore to previous PTZ and lens status after power failure
Activate Preset/ Scan/ Tour/ Pattern if there is no command in the specified period
Auto (ICR) / Color / B/W
1080P(1920x1080) / 720P(1280x720)
25/30fps@1080P, 25/30/50/60fps@720P
1 channel In
1 RS485
Pelco-P/D (Auto recognition)



CP- UVP-F2520L15-D

2 MP 1080P HDCVI IR PTZ Camera



Feature

Alarm
Operating Temperature
Weather Proof Standard
Dimension
Weight
Power Source
Power Consumption

Specification

2/1 channel In/Out
-40°C ~ 60°C / Less than 90% RH
IP66
Φ204.7(mm) x 359.9(mm)
7.8kg
AC24V/3A(±10%)
13W,23W (IR on)